

DPS Series 5W to 18W AC-DC DIN Rail Power Supplies



Key Features

- 5, 12 & 24 VDC
- Universal Input: 90-264VAC / 120-375VDC
- High Efficiency
- Short Circuit Protection
- Internal Input Filter
- IP20 Protection Rated
- Class 2



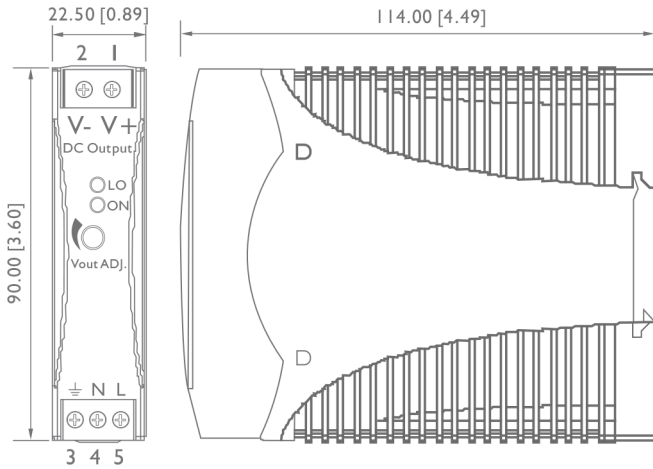
Technical Specification - 15W & 18W Output

Model	DPS-1-015-5DC*	DPS-1-018-12DC	DPS-1-018-24DC
Input Voltage	90-264VAC / 120-375VDC		
Output Wattage	15W	18W	
Output Voltage / Power Dissipation	5VDC / 5.0W	12VDC / 4.65W	24VDC / 4.45W
Output Current	3A	1.5A	0.75A
Efficiency (min/typ)	73/75%	75/77%	75/7%
General Specification			
Approval	cURus - Class 2		
Isolation Voltage	3000VAC/4242VDC		
Isolation Resistance	100MΩ @ 500VDC		
Ambient Temperature	-20 to +71°C		
Derating	(61 to 71°C) 2.5%/°C		
Storage Temperature	-25 to +85°C		
Relative Humidity	20 to 95% RH		
Cooling	Free air convection		
Dimensions	L90 x W22.5 x D114 mm		
Weight	150g		
Case Material	Plastic		
Input Specifications			
Rated Input Voltage	100 ~ 240VAC		
Input Voltage Range	90 to 264VAC, 120 to 375VDC		
Line Frequency	47 ~ 63Hz		
Power Factor @ 115VAC	0.55 Typical (0.58 Measured)		
Power Factor @ 230VAC	0.45 Typical (0.47 Measured)		
Inrush Current (115 / 230VAC)	15 / 30A		
Output Specifications			
Output Voltage Accuracy	+1%		
Minimum Load	0%		
Line Regulation	±1%		
Load Regulation	±2%		
Turn On Time	1000ms after AC applied to input at full resistive load		
Voltage Fall Time	150ms		
Voltage Rise Time	150ms		
Hold Up Time (115 / 230VAC)	30 / 130ms		
Temperature Coefficient	±0.03%/°C		
Ripple & Noise	50mV		
Voltage Trim Range	4.5 ~ 5.75VDC	10.8 ~ 13.8VDC	21.6 ~ 28.8VDC
DC ON (Green) & LOW (Red) Indicator	3.5 ~ 4.5VDC	9 ~ 10.8VDC	18 ~ 21.6VDC
Control & Protection			
Rated Overload Protection	110 ~ 165%		
Over Voltage Protection	6.5 ~ 7.27VDC	15 ~ 17.4VDC	18.75 ~ 21.75VDC
Output Short Circuit	Hiccup Mode		

DPS Series 5W to 18W AC-DC DIN Rail Power Supplies



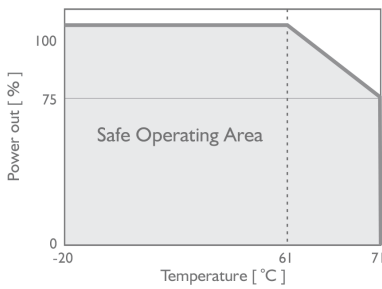
Dimensions (mm)



Pin Connections

Key		Description
1	V+	Positive output terminal
2	V-	Negative output terminal
3		Ground this terminal to minimise high-frequency emissions
4	N	Input terminals (neutral conductor, no polarity at DC input)
5	L	Input terminals (phase conductor, no polarity at DC input)
	ON	Operation indicator LED
	LO	DC LOW indicator LED
	Vout ADJ	Trimmer-potentiometer for Vout adjustment

Derating



Installation

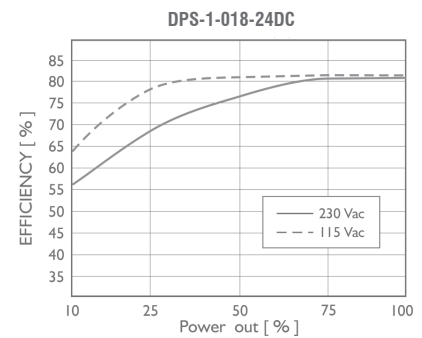
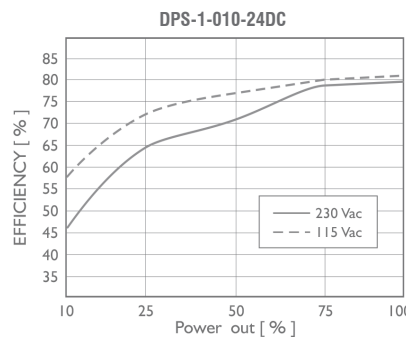
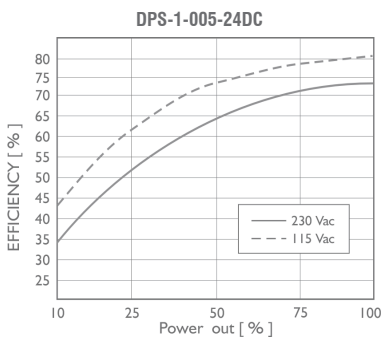
Ventilation / Cooling
Normal convection
All sides 25mm free space
For cooling recommended

Connector Size Range
AWG26-12 (0.2 ~ 2.5mm²) flexible / solid cable,
- Input connector can withstand torque at maximum 5 pound-inches
- 4-5 m/m stripping cable end recommends
Use copper conductors only, 60 / 75°C

Construction

Easy snap-on mounting onto the DIN-Rail (TS35/7.5 or TS35/15), unit sits safely and firmly on the rail.

Typ. Efficiency Curve



Circuit Schematic

